



Press-On Single Hung Window Specification

Frame

- Window frames are constructed of pattern grade genuine mahogany (*Swietenia macrophylla*).
- Other suitable wood species for paint, clear and stain grade applications available.
- Jamb thickness is 1 7/64" (28mm); sill thickness is 1 9/16" (40mm); depth is 6 5/8" (168mm); or milled to required project dimensions.
- Window frames are built to +/- 1/16" (1mm) tolerance.
- Frames are manufactured with dado joints and are glued and screwed for maximum strength.
- Finger jointing is not acceptable.

Window Sash

- Window sashes are constructed of pattern grade genuine mahogany (*Swietenia macrophylla*).
- Other suitable wood species for paint, clear and stain grade applications available.
- Standard sash thickness is 2 3/16" (56mm) with sash components laminated for extra stability.
- Other window sash thickness available as required.
- Window sash widths and heights are built to +/-1/16" (1mm) tolerance.
- Standard window sash corners are constructed with double mortise and tenon joints.
- Custom true divided lites (TDL) and/or simulated divided lites (SDL) in configurations as ordered.

Adhesive

- All wood window components are bonded with a water resistant polyvinyl acetate industrial adhesive as manufactured by Kleiberit.

Finish

- Undercoat and topcoat paint systems as available through Fine Paints of Europe.
- Stain and semitransparent finish systems as available through the Sikkens program.
- Other custom finishes available as required.

Hardware

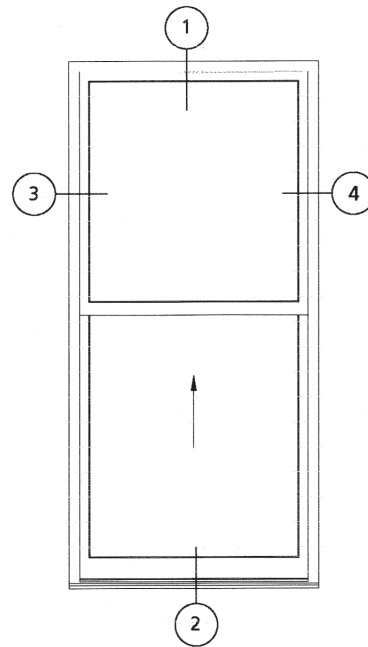
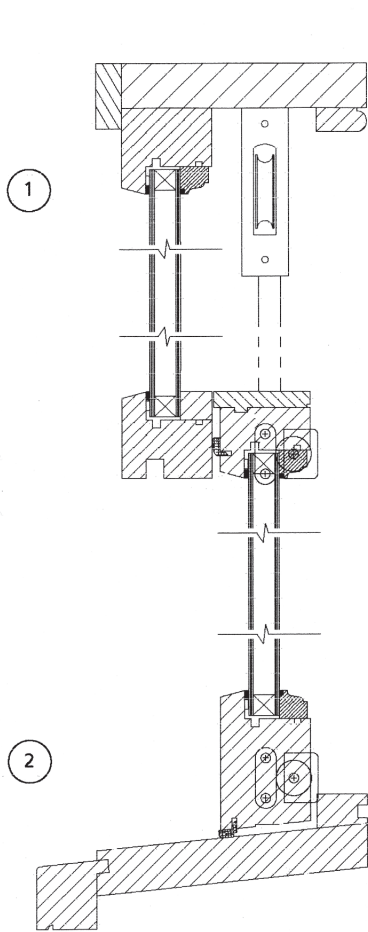
- Traditional pulley and counterweight system standard.
- Brass enclosed stainless steel bearings with concealed delrin sash guides.
- Brass, bronze or stainless steel sash locks, chains and lifts available.
- Wire reinforced sash cord available.
- Pulleys to be solid brass with ball bearings.
- Counterweights to be stackable iron or enclosed lead.
- Stationary or retractable screen options available.

Weather Stripping

- Concealed full perimeter Q-lon weather stripping by Schlegel at operable sash.

Glazing

- Standard insulated glass units are 3/4" (19mm) thick with a 1/2" (13mm) air space. Other thickness available as required.
- Glass options include but are not limited to: tempered, laminated, patterned, wire, spandrel, bent, restoration glass and various Low-E options.
- Standard glass units are dual sealed with polyisobutylene/polysulfide or silicone and are certified by the IGCC to meet a CBA rating.
- Glass units are blocked in glazing channel with neoprene setting blocks (70 - 90 durometer hardness).
- Glass units are wet-glazed with a high performance one part silicone sealant (neutral curing).
- Glazing channel is pressure relief vented and weeped.
- Glass is retained in glazing channel by an interior wood stop nailed or screwed in place.
- Other glazing systems available as required.



Unit type: Press-On Single Hung Window
(ext. view)

